



Flavors of Burgundy Wine Cruise

November 4-11, 2027 | AmaCello
7-night cruise from Lyon to Port of Dijon



Lyon, France

DATE	DESTINATION	ACTIVITIES
Nov 4	Lyon	EMBARKATION
Nov 5	Lyon	Beaujolais wine tasting "France's Culinary Capital" city tour OR Les Halles Market tasting tour OR Lyon bike tour
Nov 6	Mâcon	"The South Burgundy City" Mâcon tour OR Cluny excursion OR Tournus-Mâcon bike tour OR Mâconnais wine tasting
Nov 7	Tournus	Tournus city tour & Abbey of Saint Philibert visit OR Château Cormatin OR Medieval Brancion
Nov 8	Tournus	Scenic cruising OR Chalonaise wine tasting OR Chalon-Tournus bike tour
	Chalon-Sur-Saône	Historic city tour OR Chalon-sur-Saone bike tour OR Côtes de Nuits wine tasting
Nov 9	Seurre	Beaune excursion OR Art du Tonneau Cooperage Experience OR Seurre walking tour OR Seurre Dijon bike tour
Nov 10	Port of Dijon	Dijon city tour OR Château d'Arcelot visit OR Dijon bike tour
Nov 11	Port of Dijon	DISEMBARKATION



ONBOARD CRUISE INCLUSIONS

- » 7-night river cruise in elegantly appointed accommodations
- » Fine dining in multiple venues
- » Unlimited hand-selected wine, beer and soft drinks with lunch/dinner
- » Small group guided shore excursions with a variety of choices, including exclusive Special Interest, hiking and biking tours
- » Professionally trained Wellness Host leading wellness activities
- » Live local entertainment
- » Unlimited complimentary Wi-Fi access

OPTIONAL LAND PACKAGE INCLUSIONS

- » Hotel accommodations with daily breakfast and city tours
- » Transfers between hotel and ship



Chateau Cormatin

Reserve by June 30, 2026

SAVE \$1,750 PER PERSON & GRATUITIES
OR FREE GENEVA LAND PACKAGE
WITH \$500 PER PERSON SAVINGS & GRATUITIES

Cruise fares from ~~\$4,879~~ **\$3,129** per person

OPTIONAL LAND & CRUISE
Pre-cruise 3 nights Geneva from **\$4379** per person



For reservations or more information, contact:

Dimensions in Travel
Hosted by Jan Francis
 (818) 585 9356
 jan@dimensionsintravel.com
 dimensionsintravel.com

Flavors of Burgundy Wine Cruise

November 4-11, 2027 | 7-night cruise | aboard AmaCello



Stateroom, Category B

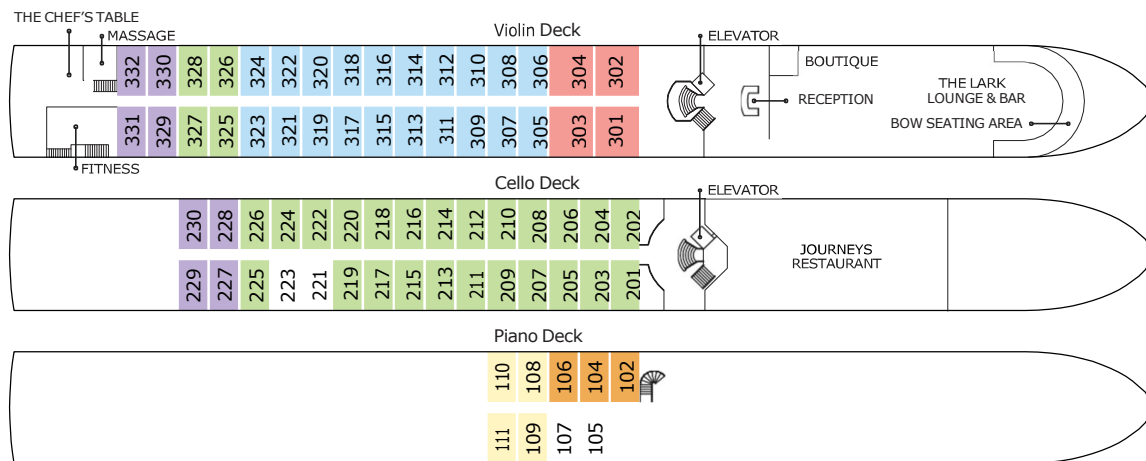


The Chef's Table Restaurant

ONBOARD FEATURES

- » Panoramic Lounge with bar, piano and dance floor
- » Walking track, whirl pool and fitness room
- » Hair salon and massage services (additional costs apply)
- » Entertainment-On-Demand with high-speed Internet, movies, music and English-language TV
- » Marble bathrooms, multi-jet showers, soothing bath products, cotton bathrobes, slippers and hair dryer
- » Generous closet and storage space with in-room safe

CATEGORY	DESCRIPTION
S	Suite, French Balcony – 255 sq. ft.
A+	French Balcony – 225 sq. ft.
A	French Balcony – 170 sq. ft.
B	French Balcony – 170 sq. ft.
C	French Balcony – 170 sq. ft.
D	Fixed Window – 170 sq. ft.
E	Fixed Window – 170 sq. ft.



TECHNICAL DATA – AMACELLO

Length: 360 ft. Width: 38 ft. Crew: 45 Staterooms: 73 Passengers: 144 Registry: Switzerland

Travel Protection: Please ask your travel advisor about travel protection options or contact your local provider.

Terms & Conditions: All rates are per person in USD. Cruise price is based on double occupancy in a Category E stateroom and includes port charges. Savings are applicable only to new reservations made by June 30, 2026 and are reflected in the pricing when applicable. Solo travelers in a double occupancy must pay an additional single supplement amount before receiving any eligible discounts. Stateroom upgrades, airfares, optional land packages, visas and gratuities are additional. When applicable, land package rates are inclusive of intra-air flights for Europe. Other restrictions may apply. For complete details, general information and terms & conditions, please contact your travel advisor. AmaWaterways reserves the right to revise any errors on the flyer. Itinerary and shore excursions are subject to change at any time without notice. CST#2065452-20.

Apr26NL

